

eyeonTMgo

Quick Start Guide

Rev. 1.0 • September 2021



eyetech

EyeTech
1128 E Greenway St.
Suite 1
Mesa, AZ 85203

Phone: 888.539.3832
Fax: 480.718.5243
info@eyetechds.com
www.eyetechds.com

Dashboard

Search Symbols

Edit / Customize

Settings

The screenshot shows a communication application interface. At the top, there is a dark brown navigation bar with icons for Dashboard, Search, Edit, Settings, and Help. Below this is a white text input field with a keyboard icon on the left and a delete icon on the right. The main content area is titled "Home" and contains a grid of 24 colorful icons, each with a word or category name and a corresponding pictogram. The icons are arranged in four rows and six columns. On the right side, there is a vertical sidebar with navigation options: Go Back, Home, Core Words, Mistake, and Alert.

Row	Column 1	Column 2	Column 3	Column 4	Column 5	Column 6
1	yes (green smiley)	I (yellow person)	PEOPLE (green group)	FOOD (green food)	THINGS (blue tools)	PLACES (green map)
2	no (red sad face)	you (yellow two people)	want (green person with red box)	stop (green person with red stop sign)	more (blue blocks)	QUESTIONS (green question marks)
3	please (pink person bowing)	it (yellow hand pointing to red square)	feel (green faces)	think (green person thinking)	different (blue shapes)	DESCRIBE (green person with speech bubble)
4	QUICK (green speech bubble)	TOPICS (green calendar)	let's (green two people)	don't (red crossed-out person)	ACTIONS (green person with bicycle)	TIME (green clock)

1. Open the speech generation software by clicking its icon on the home screen menu.
2. Create an account by entering your email address and a password.



Create account,
Sign up to get started!

Full Name
Arbaaz Gowher
Please enter your name

Email
arbaaz@avazapp.com
Account already registered with this email

Password

Please create a password

Sign up

By continuing, you agree to our T&C and privacy policy.

I'm already signed up, [Login](#)

3. Create a user profile by entering the user's name, age, and gender. Select Continue when finished.

Create a user profile,
for a personalised experience!

Picture

Name
Aliyah
Please enter the name

Age
17
Please enter the age

Gender
 Male
 Female
 Other
Please select an option

Continue

Later
You can also create a profile later in settings

Thank you for choosing the EyeOn Go!

We know each customer has very different needs from their AAC technology. Upon receipt of your **EyeOn Go** device, we will work with you to schedule your first Success Coach session.

Our Success Coaches are here to provide live, personalized coaching and support to ensure your experience with EyeTech meets or exceeds your expectations. We have designed this program to support your unique goals, so you can utilize the EyeOn as a seamless extension of yourself.

Success coaches will assist you with:

- Training on speech and access applications included with your device
- Device customization and programming
- Troubleshooting, technical, and general questions

Support is available Monday - Friday 6AM to 6PM PT

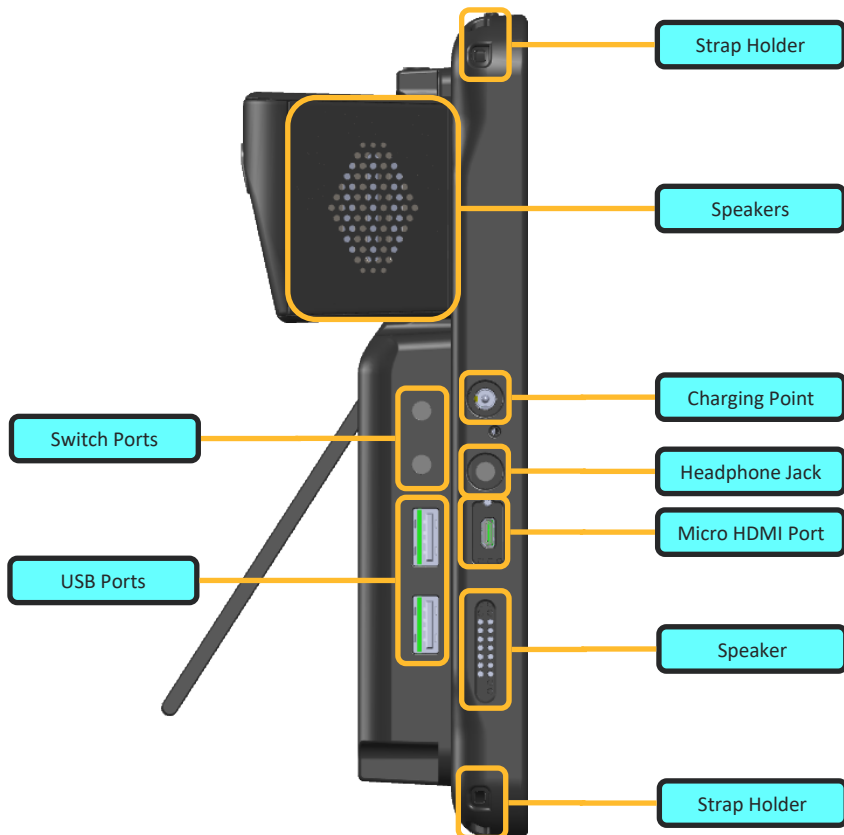
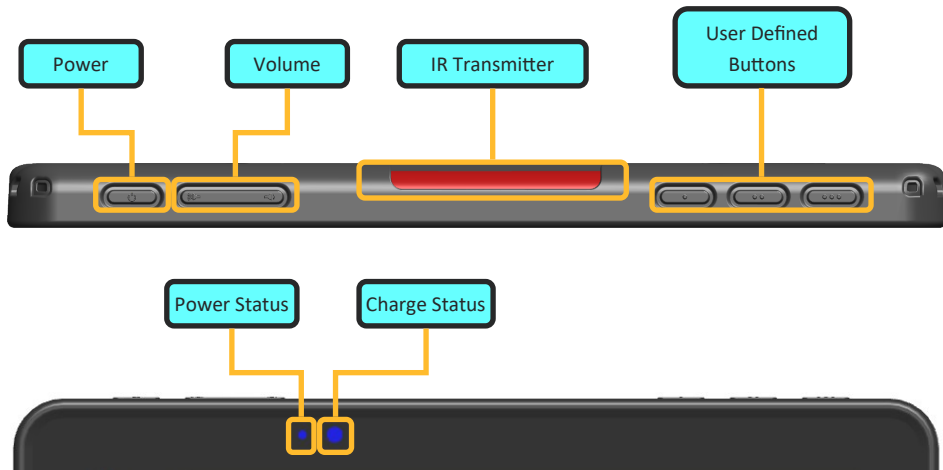
Phone: 1-888-539-3832 ext. 2 support@eyetechds.com

For full product details, please reach out to

support@eyetechds.com

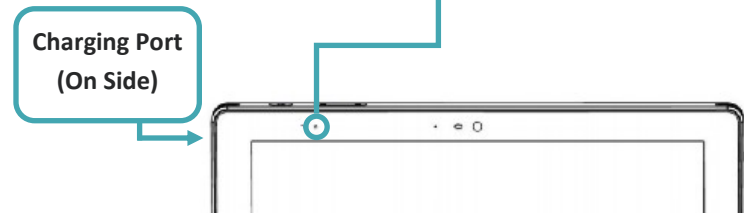
to request a copy of the **EyeOn Go User Manual**.

PRODUCT VIEW



FIRST TIME SETUP

1. Unpack your **EyeOn Go** from its packaging.
2. Confirm that the following equipment is included:
 - EyeOn Go Tablet
 - AC Adapter / Power Supply
 - Microfiber Cloth
 - Documentation
 - Quick Start Guide (this document)
 - Quick Reference Guide
3. Remove the protective clear cover from the **EyeOn Go**.
4. Plug in the **EyeOn Go** and fully charge it before first use. When fully charged, the **Charging Status** light will turn **green**.



5. Press the **Power Button** to turn the device on.



The **Charging Status** light will show one of three colors, depending on the level of charge.

- **Battery 100%**
- **Charging**
- **Battery low**